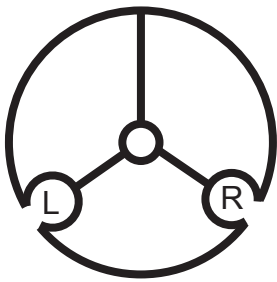


SOLID TECH

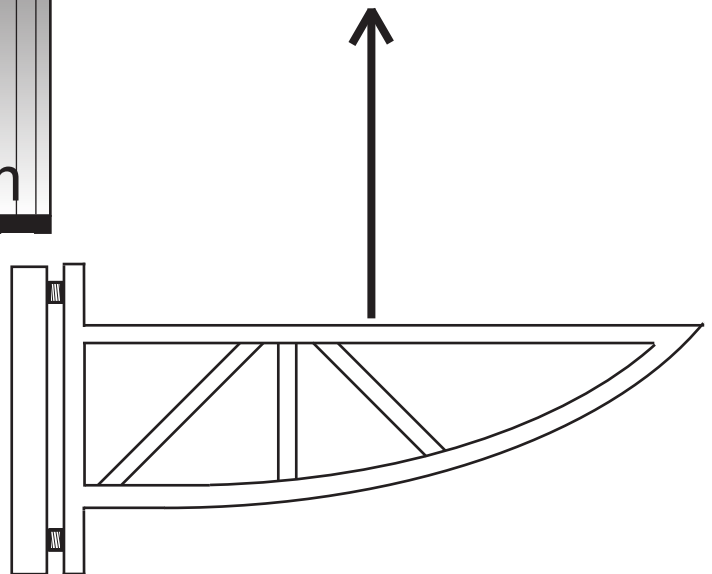
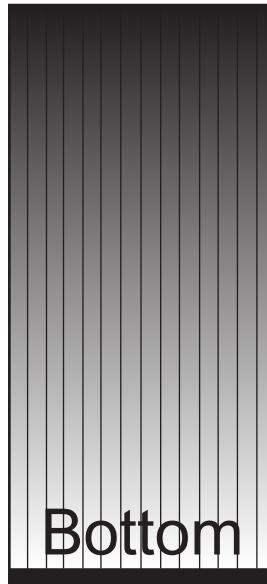
Mounting instructions for the Hybrid Rack when the shelves are bottom mounted

1.

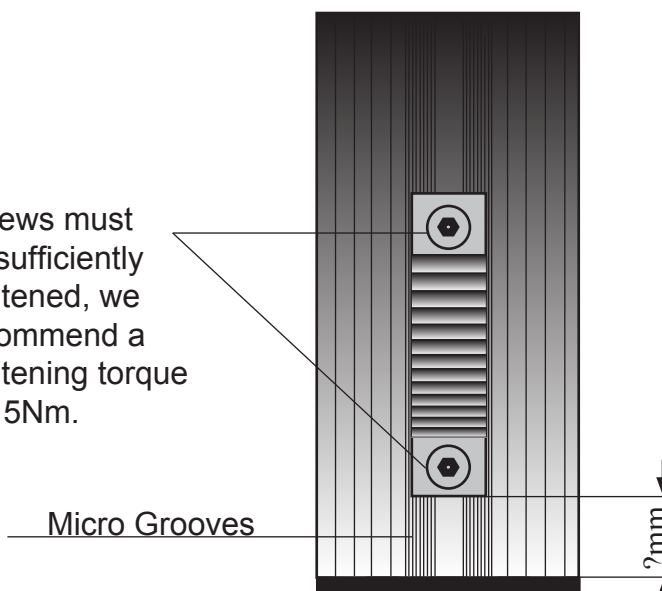


If a single section rack is to be mounted, half of all corner-pillars shall have the shelf-bracket(s) mounted to the left (L) slot and the other half to the right (R) slot.

If a multiple section rack is to be mounted a certain amount of corner-pillars shall have shelf-brackets mounted to both the left and right slot



Screws must be sufficiently tightened, we recommend a tightening torque of 15Nm.



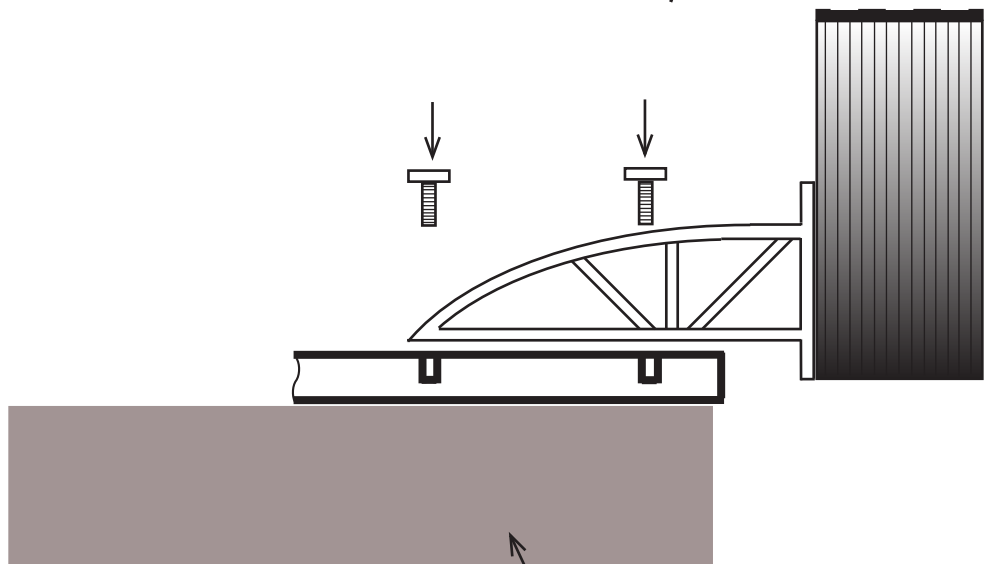
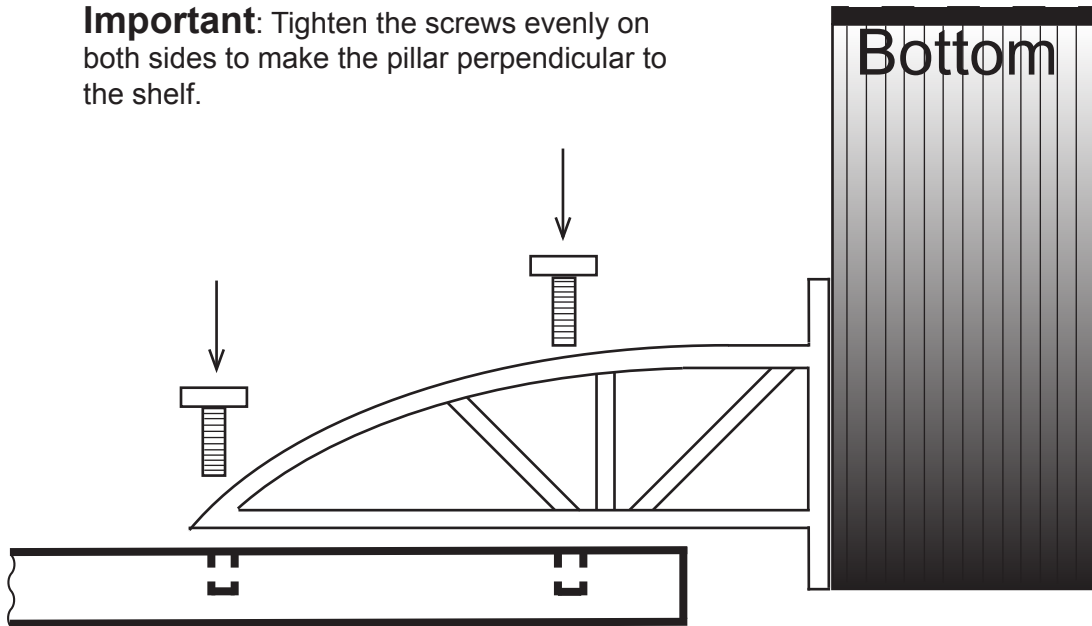
ATTENTION!

Carefully measure and place the shelf bracket(s) at its intended height (?mm) from the bottom and at first apply a very light tension to the two screws, then carefully align the shelf bracket in a perfect straight line with the corner-pillars, using the micro grooves as guide lines.

When the shelf bracket is properly adjusted then **tighten the two screws fully (15Nm).**

2.

Important: Tighten the screws evenly on both sides to make the pillar perpendicular to the shelf.

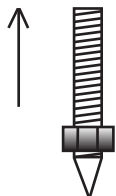
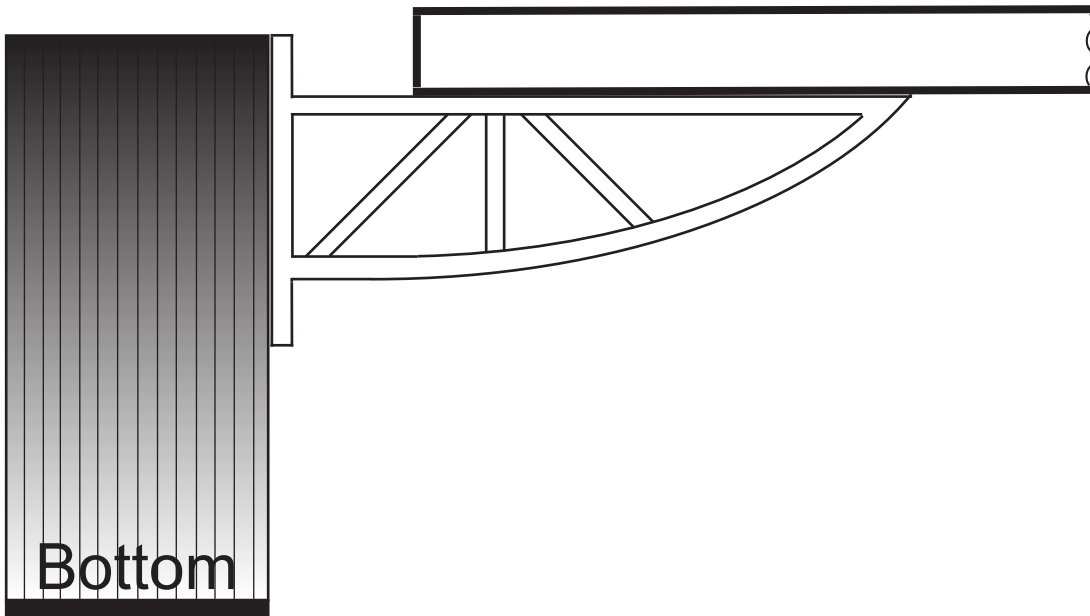
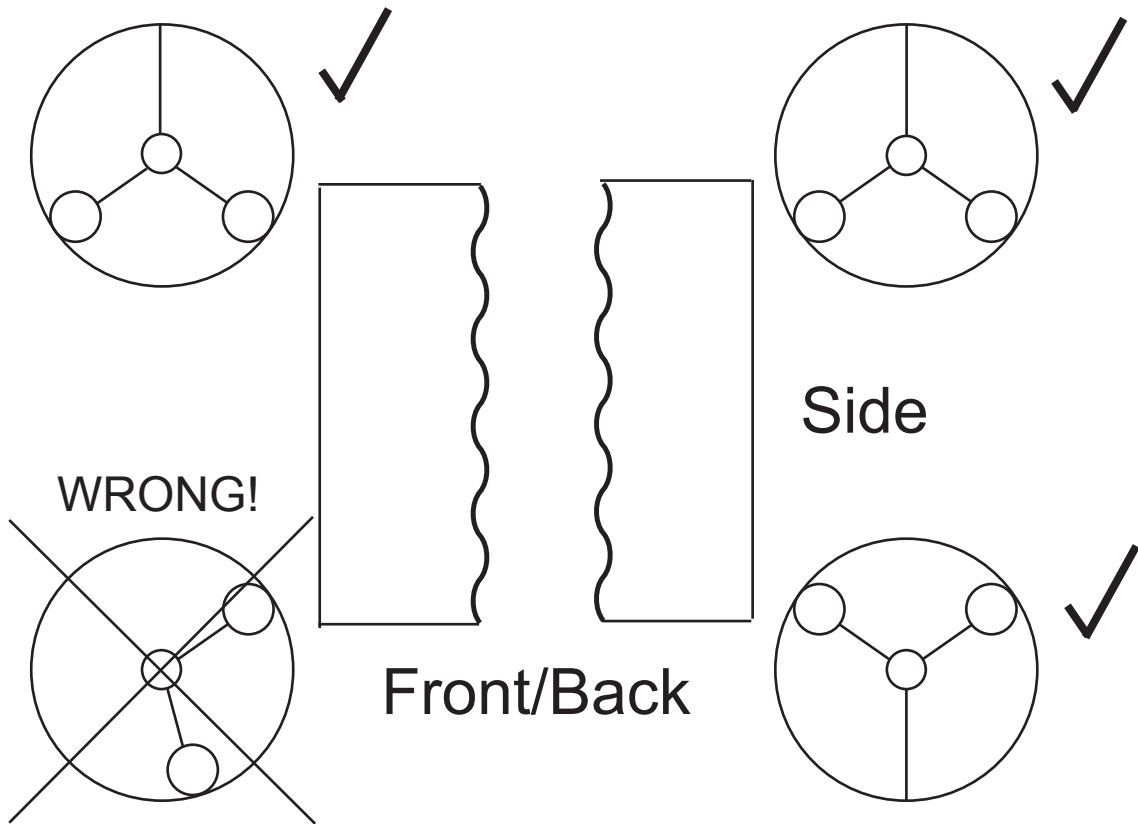


Place the shelf upside down on a book or equivalent in order for the pillar not to touch the ground when mounted

3.

Attention!

Mount the corner-pillar and shelf-bracket-assembly to the shelf at its correct corner.



Attach the spikes all the way down.